

Your Best Business Partner  
**DAEWOO**  
**AIR TOOLS**

ENGLISH



[www.ysm24.com](http://www.ysm24.com)



# Contents

Greeting .....	3
Air Tools and About CI / BI .....	4
7",5" Angle Grinders 4",2" Angle Grinders .....	5~12
Die Grinders I .....	13~14
Die Grinders II .....	15~18
Micro Grinders .....	19~20
Impact Wrenches .....	21~24
Impact Drivers .....	25~26
Screw Drivers .....	27~30
Edge Cutters .....	31~32
Drills,Chipping Hammer, Needle Scalers .....	33~34
Parts .....	35

Dear customers,

We would like to extend our sincere gratitude to our customers.

We' d like to appreciate using DAEWOO AIR TOOLS,  
which are widely used in Shipbuilding,  
Automobile, Electronic Industries, and other industries.  
Thanks to our customers' firm interests in our products and encouragement,  
we could have earned a top brand in Korea and  
good reputation in oversea.  
We promise to continue improving the quality of our products and  
developing new products.

For our customers' satisfaction,  
we will devote our energies to develop new  
technologies and high quality products.

We will do our best to  
contribute to constructing  
better society for next generation.

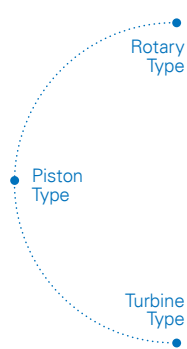
Faithfully yours  
July, 2020

**DAEWOO**  
**AIR TOOLS**



## AIR TOOLS

Air tools are operated by the energy produced in the isentropic expansion process from highly compressed air. They are usually classified as 3 different types as follows;



### Rotary Type

The shaft is assembled with eccentricity from the center of cylinder. The highly compressed air pushes the sliding vanes in order to make a rotating force at the tool shaft.

### Piston Type

The highly compressed air pushes the pistons within the cylinder to obtain a reciprocating force.

### Turbine Type

The impulse force obtained by injecting the highly compressed air in order to rotate a turbine rotor.

## FEATURES



- High capacity power machines.
- Automatically stop in the overload state and re-operated as soon as the overload removed.
- Show the strong power with continuous RPM.
- Operating well without over-heated problem even in continuous work.
- Instant re-use after simply replacing the broken or abraded components.
- 3 times longer use than the tools operated by an electronic motor.
- Even though its light weight and compact design, showing a high torque and work efficiently.
- Easy handling and comfortable controllability.
- 1/2 ~ 1/3 of weight and volume compared with the tools operated by an electric motor.
- Free from ignition, explosion, electric shock compared with electric tools.

### About CI / BI

YM  
YANGSAN MACHINERY  
CI



"YM" is the initial of the company name "Yangsan Machinery"  
"YM" means following.

·Young Man! : young man's passion

·Yes! Missoin! : an indomitable spirit for mission accomplished

·Yes! Miracle! : an innovative attitude for creating miracle

"YM" connotes eco-friendly green color and reliable blue color.

"YM", that embodies the powerful wind and rotational force, states the strong company and the strong tools.

DAEWOO AIR TOOLS  
BI



"Daewoo Air Tools" connotes powerfulness, solidity, rapidity and dynamic feeling that are the features of the air. "Daewoo Air Tools" uses reliable blue color and emphasizes No.1 by depicting the powerful wind and rotational force that are linked to CI. Also, "BI" including a word "ART", bears the mind of the artisans spirit for creating a work of art.



# 7", 5", 4" and 2" Angle Grinders

(Safety lever type, and standard)  
7" Angle Grinders  
5" (Standard), 4" (Standard and light weight),  
2" (Standard)

## 7" Angle Grinders (Safety lever type, and standard)

—  
Highest power among the similar  
class models and high productivity

Protection from hazard by the safety  
roll and lever,

Safety by the over-speed controller(Governor)

## 5",4" and 2" Angle Grinders (standard and light weight)

—  
Choosable the exhaust air direction 90degree  
(right-hand side) or 45 degree (front side)

Protection from hazard by the  
safety roll and lever,

Choosable 2", 2.5" grinder  
disc type or 6mm collet type  
/ Ultralight and highest  
power among 2"  
grinders

## 7" Angle Grinders (safety lever type)



### DAG-7LGA

- Protection from hazard by the safety lever, which controls the operation of air tools
- Safety by the over-speed controller(Governor)



### DAG-6LXA-1

- Protection from hazard by the safety lever, which controls the operation of air tools
- Safety by the over-speed controller(Governor)



### DAG-6LXA

- Silencer equipped(changeable the exhaust air direction)
- Protection from hazard by the safety lever, which controls the operation of air tools
- Safety by the over-speed controller (Governor)



### DAG-6LXAT

- The external thread spindle(M14)
- Excellent grip by the ergonomic design
- Safety by the over-speed controller(Governor)
- Protection from hazard by the safety lever, which controls the operation of air tools
- Used abroad (America and Europe)

Model	Capacity (wheel size)		Max. free speed rpm	Max. power		Length		Weight (without wheel)		Thread air inlet in	Average air consumption		Noise db	Recommended air pressure	
	in	mm		HP	W	in	mm	lb	kg		ft <sup>3</sup> /min	m <sup>3</sup> /min		PSI	kgf/cm <sup>2</sup>
DAG-7LGA	7	180	7,600	1.6	1,200	12.4	315	7.05	3.2	PT 3/8	38.9	1.1	85	85	6
DAG-6LXA-1	7	180	7,600	1.4	1,040	12	306	6.26	2.84	PT 3/8	33	0.9	83	85	6
DAG-6LXA	7	180	7,600	1.4	1,040	12	306	6.26	2.84	PT 3/8	33	0.9	80	85	6
DAG-6LXAT	7	180	7,600	1.4	1,040	12	306	6.39	2.90	PT 3/8	33	0.9	80	85	6

## 7" Angle Grinders (standard)



### DAG-7SG

- Highest power among the similar class models
- Safety by the over-speed controller(Governor)
- Safety Roll type on the ON/OFF valve



### DAG-6SX-1

- Reducing user's fatigability due to light weight
- Attachable 6" or 7" inch grinding wheel
- Safety by the over-speed controller (Governor)
- Safety Roll type on the On/Off valve



### DAG-6SX

- Silencer equipped  
(Changeable the exhaust air direction)
- Safety by the over-speed controller(Governor)
- Safety Roll type on the On/Off valve



### DAG-6SC

- Shock absorbing rubber covered
- Safety by the over-speed controller (Governor)
- Safety Roll type on the On/Off valve



### DAG-70G-1

- Easy workable with one hand
- Ultra light weight type as a 7 inch
- Safety Roll type on the Throttle Valve
- Over-speed controller(Governor) equipped

Model	Capacity (wheel size)		Max. free speed rpm	Max. power		Length		Weight (without wheel)		Thread air inlet in	Average air consumption		Noise db	Recommended air pressure	
	in	mm		HP	W	in	mm	lb	kg		ft <sup>3</sup> /min	m <sup>3</sup> /min		PSI	kgf/cm <sup>2</sup>
DAG-7SG	7	180	7,600	1.6	1,200	10.35	263	7.05	3.2	PT 3/8	38.9	1.1	85	85	6
DAG-6SX-1	7	180	7,600	1.4	1,080	9.92	252	6.23	2.83	PT 3/8	33	0.9	83	85	6
DAG-6SX	7	180	7,600	1.4	1,040	9.92	252	6.23	2.83	PT 3/8	33	0.9	80	85	6
DAG-6SC	7	180	7,600	1.45	1,100	9.92	252	5.95	2.7	PT 3/8	33	0.9	83	85	6
DAG-70G-1	7	180	7,600	1.3	970	9.48	241	5.22	2.37	PT 3/8	33	0.9	83	85	6



Die Grinders I



Die Grinders II



Micro Grinders



Impact Wrenches

7", 5" Angle Grinders  
4", 2" Angle Grinders

# 5" Angle Grinders (standard)



CE



**DAG-5LX**

- Protection from hazard by the safety lever
- Easy operation at the corner
- Exhaust air direction 45 degree front side



CE



**DAG-5LH**

- Protection from hazard by the safety lever
- Easy operation at the corner
- Exhaust air direction 45 degree front side
- For overseas Exports
- Side handle attached for the safety improvement

Model	Capacity (wheel size)		Max. free speed rpm	Max. power		Length		Weight (without wheel)		Thread air inlet in	Average air consumption		Noise db	Recommended air pressure	
	in	mm		HP	W	in	mm	lb	kg		ft <sup>3</sup> /min	m <sup>3</sup> /min		PSI	kgf/cm <sup>2</sup>
DAG-5LX	5	125	11,000	0.7	520	8.86	225	3.1	1.42	PT 1/4	23.8	0.6	88	85	6
DAG-5LH	5	125	11,000	0.7	520	8.86	225	3.1	1.42	PT 1/4	23.8	0.6	88	85	6





## DAG-5PH

- High torque by reduced gear ratio
- For a painting pre-process with 5 inch sand paper
- Exhaust air direction 45 degree front side
- Easy operation at the corner



## DAG-5SX

- Exhaust air direction 45 degree front side
- On and Off valve by Safety Roll type
- Easy operation at the corner



## DAG-5LHT

- The external thread spindle(M14)
- Exhaust air direction 45 degree front side
- Protection from hazard by the safety lever
- Many kinds of wheels are attachable such as normal abrasive wheels, cup brushes, paper wheels, sanding disks and wire brushes
- Easy operation at the corner

Model	Capacity (wheel size)		Max. free speed rpm	Max. power		Length		Weight (without wheel)		Thread air inlet in	Average air consumption		Noise db	Recommended air pressure	
	in	mm		HP	W	in	mm	lb	kg		ft <sup>3</sup> /min	m <sup>3</sup> /min		PSI	kgf/cm <sup>2</sup>
DAG-5PH	5	125	8,400	0.7	520	7.48	190	3.1	1.44	PT 1/4	23.8	0.6	88	85	6
DAG-5SX	5	125	11,000	0.7	520	7.48	190	3.1	1.44	PT 1/4	23.8	0.6	88	85	6
DAG-5LHT	5	125	11,000	0.7	520	8.86	225	3.74	1.7	PT 1/4	23.8	0.6	88	85	6

## 4" Angle Grinders (standard)



Rotational direction

### DAG-100SP

- Widely used in the normal industrial site
- Exhaust air direction 90 degree (right-hand side)
- On and Off valve by Roll type



Rotational direction

### DAG-100ST

- The external thread type (M10×1.5)
- Many kinds of wheels are attachable such as normal abrasive wheels, cup brushes, paper wheels, sanding disks and wire brushes
- On and Off valve by Roll type

M10



Rotational direction

### DAG-100S

- Exhaust air direction 45 degree (front side)
- On and Off valve by Safety Roll type



Rotational direction

### DAG-100SC

- Exhaust air direction 45 degree (front side)
- On and Off valve by Safety Roll type
- Shock absorbing rubber covered



Rotational direction

### DAG-100LP

- Exhaust air direction 90 degree (right-hand side)
- Protecting from hazard by the safety lever

Model	Capacity (wheel size)		Max. free speed rpm	Max. power		Length		Weight (without wheel)		Thread air inlet in	Average air consumption		Noise db	Recommended air pressure	
	in	mm		HP	W	in	mm	lb	kg		ft <sup>3</sup> /min	m <sup>3</sup> /min		PSI	kgf/cm <sup>2</sup>
DAG-100SP	4	100	11,000	0.7	520	8.2	210	3.4	1.55	PT 1/4	22	0.6	86	85	6
DAG-100ST	4	100	11,000	0.7	520	8.2	210	3.8	1.72	PT 1/4	22	0.6	86	85	6
DAG-100S	4	100	11,000	0.7	520	8.2	210	3.4	1.55	PT 1/4	22	0.6	86	85	6
DAG-100SC	4	100	11,000	0.7	520	8.2	210	3.4	1.56	PT 1/4	22	0.6	86	85	6
DAG-100LP	4	100	11,000	0.7	520	8.8	225	4.23	1.92	PT 1/4	22	0.6	86	85	6

## 4" Angle Grinders (light weight type)



### DAG-4SX

- One hand operation
- Exhaust air direction 45 degree front side
- Safety Roll type on the On/Off valve



### DAG-4SX-1

- Long hand grip with adaptor
- Exhaust air direction 45 degree front side
- Safety Roll type on the On/Off valve



### DAG-4LX

- Protection from hazard by the safety lever
- Exhaust air direction 45 degree front side

Model	Capacity (wheel size)		Max. free speed rpm	Max. power		Length		Weight (without wheel)		Thread air inlet in	Average air consumption		Noise db	Recommended air pressure	
	in	mm		HP	W	in	mm	lb	kg		ft <sup>3</sup> /min	m <sup>3</sup> /min		PSI	kgf/cm <sup>2</sup>
DAG-4SX	4	100	11,000	0.7	520	7.48	190	3.1	1.44	PT 1/4	23.8	0.6	88	85	6
DAG-4SX-1	4	100	11,000	0.7	520	8.2	210	3.3	1.5	PT 1/4	23.8	0.6	88	85	6
DAG-4LX	4	100	11,000	0.7	520	8.85	225	3.1	1.42	PT 1/4	23.8	0.6	88	85	6



7", 5" Angle Grinders  
4", 2" Angle Grinders

## 2" Angle Grinders (standard)



### DAG-2WS

- Possible to equip with various 2" or 2.5" grinder disc
- On and Off valve by Roll type
- Compact and ultralight with good performance
- Easy operation at the corner
- Suitable for post-treatment process after CASTING



### DAG-2WL

- Possible to equip with various 2" or 2.5" grinder disc
- Protection from hazard by the safety lever
- Compact and ultralight with good performance
- Easy operation at the corner
- Suitable for post-treatment process after CASTING



### DAG-2CS

- Possible to equip with various 6mm carbides (Rotary burr)
- On and Off valve by Roll type
- Compact and ultralight with good performance
- Easy operation at the corner
- Suitable for post-treatment process after CASTING



### DAG-2CL

- Possible to equip with various 6mm carbides (Rotary burr)
- Protection from hazard by the safety lever
- Compact and ultralight with good performance
- Easy operation at the corner
- Suitable for post-treatment process after CASTING

Model	Capacity (wheel size)		Max. free speed rpm	Max. power		Length		Weight (without wheel)		Thread air inlet in	Average air consumption		Noise db	Recommended air pressure	
	in	mm		HP	W	in	mm	lb	kg		ft <sup>3</sup> /min	m <sup>3</sup> /min		PSI	kgf/cm <sup>2</sup>
DAG-2WS	2-2.5	50-60	22,000	0.4	300	5.35	136	1.23	0.56	PT 1/4	9.1	0.25	93	85	6
DAG-2WL	2-2.5	50-60	22,000	0.4	300	5.51	140	1.19	0.54	PT 1/4	9.1	0.25	93	85	6
DAG-2CS	-	6	22,000	0.4	300	5.35	136	1.14	0.52	PT 1/4	9.1	0.25	93	85	6
DAG-2CL	-	6	22,000	0.4	300	5.51	140	1.08	0.49	PT 1/4	9.1	0.25	93	85	6



Impact Drivers

Screw Drivers

Edge Cutters

Drills, Chipping Hammer,  
Needle Scalers

Parts

# Die Grinders I (high power)

## Die Grinders I (high power)

Lighter weight and higher power  
among the similar class

The high-power product of optimum design for  
grinding

Easy operation in the corner and narrow space

## Die Grinders (high power)



### DSG-25HC

- Collet type(6 mm or 8 mm adaptable)
- Easy and powerful operation in the corner or narrow space



### DSG-25HCLS

- Collet type (6 mm or 8 mm adaptable)
- Easy and powerful operation in the corner or narrow place
- Protection from hazard by the safety lever



### DSG-25C

- Collet type(6mm or 8mm adaptable)
- Easy and powerful operation in the corner or narrow space
- Aluminum body for light weight



### DSG-25HW

- 2.5 inch grinding wheel disc
- High speed and surface processing performance



### DSG-25HWG

- 2.5 inch grinding wheel disc
- High speed and surface processing performance
- Over-speed controller (Governor) equipped



### DSG-25HWLS

- 2.5 inch grinding wheel disc
- High speed and surface processing performance
- Protection from hazard by the safety lever and the wheel guard



### DSG-25W

- 2.5 inch grinding wheel disc
- Easy and powerful performance
- Over-speed controller(Governor) equipped
- Aluminum body for light weight

Model	Capacity (wheel size)		Max. free speed rpm	Max. power		Length		Weight (without wheel)		Thread air inlet in	Average air consumption		Noise db	Recommended air pressure	
	in	mm		HP	W	in	mm	lb	kg		ft <sup>3</sup> /min	m <sup>3</sup> /min		PSI	kgf/cm <sup>2</sup>
DSG-25HC	-	6 OR 8	18,000	0.8	600	11.88	302	3.17	1.44	PT 1/4	21.1	0.6	88	85	6
DSG-25HCLS	-	6 OR 8	18,000	0.8	600	12.04	306	3.06	1.39	PT 1/4	21.1	0.6	88	85	6
DSG-25C	-	6 OR 8	18,000	0.8	600	12.99	295	2.20	1.00	PT 1/4	21.1	0.6	88	85	6
DSG-25HW	2.5	63.5	18,000	0.8	600	12.15	276	3.19	1.45	PT 1/4	21.1	0.6	88	85	6
DSG-25HWG	2.5	63.5	14,000	0.8	600	11.73	298	3.70	1.68	PT 1/4	21.1	0.6	88	85	6
DSG-25HWLS	2.5	63.5	18,000	0.8	600	12.04	306	3.06	1.39	PT 1/4	21.1	0.6	88	85	6
DSG-25W	2.5	63.5	14,000	0.8	600	12.00	305	2.42	1.10	PT 1/4	21.1	0.6	88	85	6



Screw Drivers

Drills, Chipping Hammer,  
Needle Scalers

Parts

Edge Cutters

Impact Drivers

# Die Grinders II (standard, long type, and 50 series)

**Die Grinders II  
(standard, long length type,  
and 50 series)**

- High power the light weight and compact design
- Demonstrated superior ability in polishing, burr and scale removing, and etc.
- Available to suit work environment by the various kind of products like lower noise and longer length type.

# Die Grinders (standard)



## DG-38L

- Light duty operation such as a polishing, burr removing etc
- 3.0mm shaft attachable with a special Bushing



## DG-38S

- Light duty operation such as a polishing, burr removing etc
- 3.0mm shaft attachable with a special Bushing



## DGS-38L

- Silencer equipped
- Suitable for indoor working
- 3.0mm shaft attachable with a special Bushing



## DGS-38S

- Silencer equipped
- Suitable for indoor working
- 3.0mm shaft attachable with a special Bushing



## DG-38RS

- Low vibration due to its reinforced rotor shaft diameter (8mm -> 9mm)
- For rotary burr tools' use
- 3.0mm shaft attachable with a special Bushing



## DG-38RS-1

- Low vibration due to its reinforced rotor shaft diameter (8mm -> 9mm)
- For rotary burr tools' use
- 3.0mm shaft attachable with a special Bushing



## DG-38LS

- Protection from hazard by safety lever
- 3.0mm shaft attachable with a special Bushing



## DGS-38LS

- Protection from hazard by the safety lever
- Silencer equipped
- 3.0mm shaft attachable with a special Bushing

Model	Capacity (wheel size)		Max. free speed rpm	Max. power		Length		Weight (without wheel)		Thread air inlet in	Average air consumption		Noise db	Recommended air pressure	
	in	mm		HP	W	in	mm	lb	kg		ft <sup>3</sup> /min	m <sup>3</sup> /min		PSI	kgf/cm <sup>2</sup>
DG-38L	-	6(3)	25,000	0.45	340	6.37	162	1.25	0.57	PT 1/4	10.7	0.3	85	85	6
DG-38S	-	6(3)	25,000	0.45	340	7.08	180	1.43	0.65	PT 1/4	10.7	0.3	85	85	6
DGS-38L	-	6(3)	22,000	0.40	300	6.37	162	1.25	0.57	PT 1/4	10.7	0.3	75	85	6
DGS-38S	-	6(3)	22,000	0.40	300	7.08	180	1.43	0.65	PT 1/4	10.7	0.3	75	85	6
DG-38RS	-	6(3)	25,000	0.45	340	7.08	180	1.47	0.67	PT 1/4	10.7	0.3	85	85	6
DG-38RS-1	-	6(3)	25,000	0.45	340	7.40	188	1.60	0.73	PT 1/4	10.7	0.3	85	85	6
DG-38LS	-	6(3)	25,000	0.45	340	6.88	175	1.25	0.57	PT 1/4	10.7	0.3	85	85	6
DGS-38LS	-	6(3)	22,000	0.40	300	6.88	175	1.25	0.57	PT 1/4	10.7	0.3	75	85	6



## Die Grinders (long type)

CE



### DGL-38L

- Lever type on the On / Off for simple working
- Easy operation in the corner or narrow space by its extended spindle
- 3.0mm shaft attachable with a special Bushing



### DGL-38S

- Roll type on the On/Off for successive working
- Easy operation in the corner or narrow space by its extended spindle
- 3.0mm shaft attachable with a special Bushing

CE



### DGL-38LS

- Protection from hazard by safety lever
- 3.0 mm shaft attachable with a special Bushing



Model	Capacity (wheel size)		Max. free speed rpm	Max. power		Length		Weight (without wheel)		Thread air inlet in	Average air consumption		Noise db	Recommended air pressure	
	in	mm		HP	W	in	mm	lb	kg		ft <sup>3</sup> /min	m <sup>3</sup> /min		PSI	kgf/cm <sup>2</sup>
DGL-38L	-	6(3)	25,000	0.45	340	12.6	320	2.02	0.92	PT 1/4	10.7	0.3	83	85	6
DGL-38S	-	6(3)	25,000	0.45	340	13.1	335	2.02	0.92	PT 1/4	10.7	0.3	83	85	6
DGL-38LS	-	6(3)	25,000	0.45	340	12.99	330	2.02	0.92	PT 1/4	10.7	0.3	83	85	6

# Die Grinders (50 series)



## DG-50L(6mm) / DG-50L(8mm)

- Available 6 or 8mm collet according to user need
- High durability for rotary burr tool
- Low vibration due to precision concentricity



## DG-50S(6mm) / DG-50S(8mm)

- Available 6 or 8mm collet according to user need
- High durability for rotary burr tool
- Low vibration due to precision concentricity



## DG-50LS(6mm) / DG-50LS(8mm)

- Available 6 or 8mm collet according to user need
- Protection from hazard by the safety lever
- High durability for rotary burr tool
- Low vibration due to precision concentricity

Model	Capacity (wheel size)		Max. free speed RPM	Max. power		Length		Weight (without wheel)		Thread air inlet in	Average air consumption		Noise db	Recommended air pressure	
	in	mm		HP	W	in	mm	lb	kg		ft <sup>3</sup> /min	m <sup>3</sup> /min		PSI	kgf/cm <sup>2</sup>
DG-50L	-	6 or 8	22,000	0.5	370	8.07	205	1.63	0.74	PT 1/4	178	0.5	83	85	6
DG-50S	-	6 or 8	22,000	0.5	370	8.18	208	1.67	0.76	PT 1/4	178	0.5	83	85	6
DG-50LS	-	6 or 8	22,000	0.5	370	8.07	205	1.69	0.77	PT 1/4	178	0.5	83	85	6

Impact Drivers

Screw Drivers

Edge Cutters

Drills, Chipping Hammer  
Needle Scalers

Parts

# Micro Grinders (turbine / standard)

## Micro Grinders (turbine / standard)

High precision processing due to the low vibration at high RPM with compact design and light weight

Applied to the grinding process of various mold, removing burr and processing of complex surface, and etc.

Specially, turbine type demonstrates the superior performance and durability compared with rotary type.

7" 5" Angle Grinders  
4" 2" Angle Grinders

Die Grinders I

Die Grinders II

Micro Grinders

Impact Wrenches

# Micro Grinders



CE



Rotational direction

## DT-1000(turbin type)

- Small size and Multi-stage axial turbin system
- Ultrahigh speed(100,000 rpm)
- High durability because of no friction between each part
- Good performance with high power
- Smooth On/Off valve
- Front exhaust

CE



Rotational direction

## DMG-3M(pencil type)

- Long lifetime and pleasant operation condition with a silencer
- Good operation with the strong power
- Less operator's fatigue
- Rear exhaust

Model	Capacity (wheel size)		Max. free speed rpm	Length		Weight (without wheel)		Thread air inlet in	Average air consumption		Noise db	Recommended air pressure	
	in	mm		in	mm	lb	kg		ft <sup>3</sup> /min	m <sup>3</sup> /min		PSI	kgf/cm <sup>2</sup>
DT-1000	-	3	100,000	5.7	145	0.55	0.25	PT 1/8	7.1	0.2	73	85	6
DMG-3M	-	3	65,000	6.3	162	0.28	0.13	PT 1/4	7.1	0.2	83	85	6

Impact Drivers

Screw Drivers

Edge Cutters

Drills, Chipping Hammer,  
Needle Scalers

Parts

# Impact Wrenches (1", 3/4", 1/2" and 3/8")

## Impact Wrenches (1", 3/4", 1/2" and 3/8")

High productivity, worker's fatigue reduction by the ergonomic design

Light weight and quick response

Widely used in the field of automobile and motorcycle assembly line or maintenance

DAEWOO  
AIR TOOLS

7" 5" Angle Grinders  
4" 2" Angle Grinders

Die Grinders I

Die Grinders II

Micro Grinders

Impact Wrenches

# 1", 3/4" Impact Wrenches



## DIW-25HP(1") / DIW-25HPA(3/4")

- Loosening torque is higher 15% more than the other direction
- Magnesium alloy material enable 30% lighter weight than aluminum casing
- Unique shape and lightness reduce worker's fatigue and prevent musculoskeletal disorder
- 1" & 3/4" Anvil be easily exchangeable
- Attached Air regulator improves job skills
- Rear exhaust



CE

## DIW-19P(3/4")

- Single hammer type
- Good performance on the maintenance of commercial vehicles or heavy duty machines
- Installed the flow regulator
- Highest power among the same class models
- Easy maintenance due to the easy disassemble and reassemble



CE

## DIW-19N(3/4")

- Double hammer type
- Shock absorbing rubber covered
- Installed the flow regulator
- Lightest weight among the same class models

Model	Hex size		Bolt size	Max. free speed	Max. torque		Length		Weight		Thread air inlet	Average air consumption		Noise	Recommended air pressure	
	in	mm			RPM	kg.m	N.m	in	mm	lb		kg	in		ft <sup>3</sup> /min	m <sup>3</sup> /min
DIW-25HP	1	25	M24-M32	6,500	100	980	8.9	226	11	5	PT3/8	56.5	1.6	100	85	6
DIW-25HPA	3/4	19	M18-M22	6,500	100	980	8.9	226	11	5	PT3/8	56.5	1.6	100	85	6
DIW-19P	3/4	19	M18-M22	6,000	70	686	9.05	230	8.8	4	PT1/4	31.7	0.9	100	85	6
DIW-19N	3/4	19	M18-M22	6,000	80	784	8.77	210	8.15	3.7	PT1/4	31.7	0.9	100	85	6

# 1/2" Impact Wrenches



CE



## DIW-14N2 (1/2")

- High durability with double hammer type
- Good performance on the maintenance of vehicles
- One touch operation type on the reverse valve and flow regulator installed
- Multi-stage trigger type
- Front exhaust



CE



## DIW-14S (1/2")

- High durability with double hammer
- Good performance on the maintenance of vehicles
- One touch operation type on the reverse valve and flow regulator installed
- Multi-stage trigger type and Front exhaust
- Light & Short type of DIW-14N2



CE



## DIW-13P2 (1/2")

- Specially used in the field of automobile assembly line or maintenance
- Double hammer type
- Front exhaust



CE



## DIW-8PA (1/2")

- Specially used in the field of automobile and motorcycle assembly line or maintenance
- Double hammer type
- Front exhaust

Model	Hex size		Bolt size size	Max. free speed RPM	Max. torque		Length		Weight		Thread air inlet in	Average air consumption		Noise db	Recommended air pressure	
	in	mm			kg.m	N.m	in	mm	lb	kg		ft <sup>3</sup> /min	m <sup>3</sup> /min		PSI	kgf/cm <sup>2</sup>
DIW-14N2	1/2	12.7	M12-M16	8,500	54	530	7.24	184	5.7	2.6	PT1/4	24.7	0.7	100	85	6
DIW-14S	1/2	12.7	M12-M16	8,500	54	530	6.42	163	5.1	2.3	PT1/4	24.7	0.7	100	85	6
DIW-13P2	1/2	12.7	M12-M16	6,000	68	670	7.95	202	6.1	2.8	PT1/4	33	0.9	100	85	6
DIW-8PA	1/2	12.7	M8-M10	8,500	38	373	6.29	160	3.5	1.6	PT1/4	24.7	0.7	100	85	6

7" 5" Angle Grinders  
4" 2" Angle Grinders

Die Grinders I

Die Grinders II

Micro Grinders

Impact Wrenches

## 3/8" Impact Wrenches



CE



**DIW-8P**

- Specially used in the field of automobile and motorcycle assembly line or maintenance
- Double hammer type
- Front exhaust



CE



**DIW-6P2**

- Double hammer type
- Specially used in the field of automobile assembly line
- High productivity due to light weight, compact design, and easy handling grip for operator
- Rear exhaust



CE



**DIW-5P**

- Double hammer type
- Controllable the rotation direction by one hand
- High productivity due to light weight and compact design
- Two stage trigger control the RPM
- Quiet operation with a silencer
- Rear exhaust



CE



**DIW-6SA2**

- Double hammer type & straight impact wrench
- High productivity due to light weight, compact design, and easy handling grip for operator
- Specially used in the field of automobile and motorcycle assembly line or maintenance
- Front exhaust

Model	Hex size		Bolt size	Max. free speed	Max. torque		Length		Weight		Thread air inlet	Average air consumption		Noise	Recommended air pressure	
	in	mm			RPM	kg.m	N.m	in	mm	lb		kg	ft <sup>3</sup> /min		m <sup>3</sup> /min	db
DIW-8P	3/8	9.5	M8-M10	8,500	38	373	6.29	160	3.5	1.6	PT1/4	24.7	0.7	100	85	6
DIW-6P2	3/8	9.5	M5-M8	10,000	21	206	6.61	168	2.4	1.1	PT1/4	10.5	0.3	95	85	6
DIW-5P	3/8	9.5	M5-M8	12,000	17	167	5.05	148	1.98	0.9	PT1/4	10.5	0.3	90	85	6
DIW-6SA2	3/8	9.5	M5-M8	10,000	13	127	6.49	190	2.2	1.0	PT1/4	10.5	0.3	90	85	6



# Impact Drivers (pistol, standard, straight type)

## Impact Drivers (pistol, standard, straight type)

The ergonomic design and quick response by light weight and compact design

High efficiency by changing bits quickly and easily

A proper torque adjustment and pleasant work environment by equipped with a flow regulator and a silencer



7" 5" Angle Grinders  
4" 2" Angle Grinders

Die Grinders I

Die Grinders II

Micro Grinders

Impact Wrenches

## Impact Drivers (pistol and standard)

CE



Reverse Forward

### DID-6P3

- Double hammer type
- High productivity due to light weight, compact design, and easy handling grip for operator
- Quick changeable driver anvil
- Specially used in the field of automobile and motorcycle assembly line or maintenance
- Rear exhaust

CE



Reverse Forward

### DID-5P3

- Double hammer type
- Controllable the rotation direction by one hand
- High productivity due to light weight, compact design, and easy handling grip for operator
- Two stage trigger control RPM Quiet operation with a silencer
- Quiet operation with a silencer
- Rear exhaust

CE



Reverse Forward

### DID-6SA3

- Double hammer type & straight impact wrench
- High productivity due to light weight, compact design, and easy handling grip for operator
- Quick changeable driver anvil
- Specially used in the field of automobile and motorcycle assembly line or maintenance
- Front exhaust

Model	Hex size		Bolt size size	Max. free speed RPM	Max. torque		Length		Weight		Thread air inlet in	Average air consumption		Noise db	Recommended air pressure	
	in	mm			kg.m	N.m	in	mm	lb	kg		ft <sup>3</sup> /min	m <sup>3</sup> /min		PSI	kgf/cm <sup>2</sup>
DID-6P3	1/4	6.35	M5-M8	10,000	21	206	7.0	178	2.4	1.1	PT1/4	10.5	0.3	95	85	6
DID-5P3	1/4	6.35	M5-M8	12,000	17	167	5.98	153	2	0.9	PT1/4	10.5	0.3	90	85	6
DID-6SA3	1/4	6.35	M5-M8	10,000	13	127	7.7	197	2.2	1.0	PT1/4	10.5	0.3	90	85	6

## Impact Drivers (Straight)

CE



Reverse Forward

### DID-4S

- Double hammer type
- High productivity due to light weight, compact design, and easy handling grip for operator
- Specially used in the field of home electric appliances assembly line
- Control torque due to a flow regulation valve equipped

CE



Reverse Forward

### DID-4H

- Double hammer type
- High productivity due to the light weight, compact design, and easy handling grip for operator
- Specially used in the field of home electric appliances assembly line.
- Control torque due to a flow regulation valve equipped
- Quick and easy changeable driver anvil

Model	Hex size		Bolt size size	Max. free speed RPM	Max. torque		Length		Weight		Thread air inlet in	Average air consumption		Noise db	Recommended air pressure	
	in	mm			kg.m	N.m	in	mm	lb	kg		ft <sup>3</sup> /min	m <sup>3</sup> /min		PSI	kgf/cm <sup>2</sup>
DID-4S	1/4	6.35	M4-M6	12,000	3	29	6.8	175	1.65	0.75	PT1/4	10.5	0.3	95	85	6
DID-4H	1/4	6.35	M4-M6	12,000	3	29	7.08	180	1.69	0.77	PT1/4	10.5	0.3	95	85	6

Impact Drivers

Screw Drivers

Edge Cutters

Drills, Chipping Hammer,  
Needle Scalers

Parts

# Screw Drivers (standard and high class)

## Screw Drivers (standard and high class)

—  
Worker's fatigue reduction by the ergonomic design

Available to suit working conditions by adjusting torque

High efficiency by changing bits quickly and easily



7" 5" Angle Grinders  
4" 2" Angle Grinders

Die Grinders I

Die Grinders II

Micro Grinders

Impact Wrenches

# Screw Drivers (standard)



Screw Driver

CE



## DS-4L

- Safety due to the cushion clutch even in the overload state
- Widely used in fastening or removing the screw

CE



## DS-5L

- Safety due to the cushion clutch even in the overload state
- High torque operation because of adjustable the torque by an air regulator

Model	Bit size	Max. free speed	Max. torque		Length		Weight		Thread air inlet	Hose size (Outer-Inner)	Average air consumption		Noise	Recommended air pressure	
	mm	RPM	kg.cm	N.m	in	mm	lb	kg	in	mm	ft <sup>3</sup> /min	m <sup>3</sup> /min	db	PSI	kgf/cm <sup>2</sup>
DS-4L	5	2,000	10~25	0.98~2.45	8.11	206	1.32	0.6	PT1/4	8-5	7	0.2	88	71	5
DS-5L	6.35	1,400	20~40	1.96~3.92	10.63	270	2.42	1.1	PT1/4	8-5	7	0.2	88	71	5

# Screw Drivers

## (high class)

CE



### DS-5TS

- External Torque Controller
- Shock absorbing and anti-slip rubber cover
- Controlling the exhaust air direction and a silencer attached
- Easy and quick control of rotational direction
- Providing a firm torque because the auto shut-off clutch shuts down the air supply when a set torque is accomplished
- Available 5 or 6.35mm bit according to user need



### DS-5TH

- External Torque Controller
- Shock absorbing and anti-slip rubber cover
- Low noise by exhaust hose
- Easy and quick control of rotational direction
- Providing a firm torque because the auto shut-off clutch shuts down the air supply when a set torque is accomplished
- Available 5 or 6.35mm bit according to user need



### DS-4TS-10

- Easy and quick control of rotational direction
- Providing a firm torque because the auto shut-off clutch shuts down the air supply when a set torque is accomplished
- Specially used in the precision fastening process
- Quick changeable bit driver anvil
- Available 5 or 6.35 mm bit according to user need



### DS-4TL-10

- Easy and quick control of rotational direction
- Specially used in the precision fastening process
- Smooth and silky operation with the cushion clutch
- Quick changeable bit driver anvil
- Available 5 or 6.35 mm bit according user need

Model	Bit size	Max. free speed	Max. torque		Length		Weight		Thread air inlet	Hose size (Outer-Inner)	Average air consumption		Noise	Recommended air pressure	
	mm	RPM	kg.cm	N.m	in	mm	lb	kg	in	mm	ft <sup>3</sup> /min	m <sup>3</sup> /min	db	PSI	kgf/cm <sup>2</sup>
DS-5TS	5 or 6.35	1,400	7-17	0.69~1.67	9.25	235	1.48	0.67	PT1/4	8 - 5	10.6	0.3	78	85	6
DS-5TH	5 or 6.35	1,400	7-17	0.69~1.67	8.85	225	1.46	0.66	PT1/8	8 - 5	10.6	0.3	78	85	6
DS-4TS-10	5 or 6.35	1,400	5-20	0.50~1.96	9.44	240	1.4	0.6	PT1/8	8 - 5	11.3	0.32	80	85	6
DS-4TL-10	5 or 6.35	1,400	5-30	0.50~2.94	9.44	240	1.4	0.6	PT1/8	8 - 5	11.3	0.32	80	85	6

7" 5" Angle Grinders  
4" 2" Angle Grinders

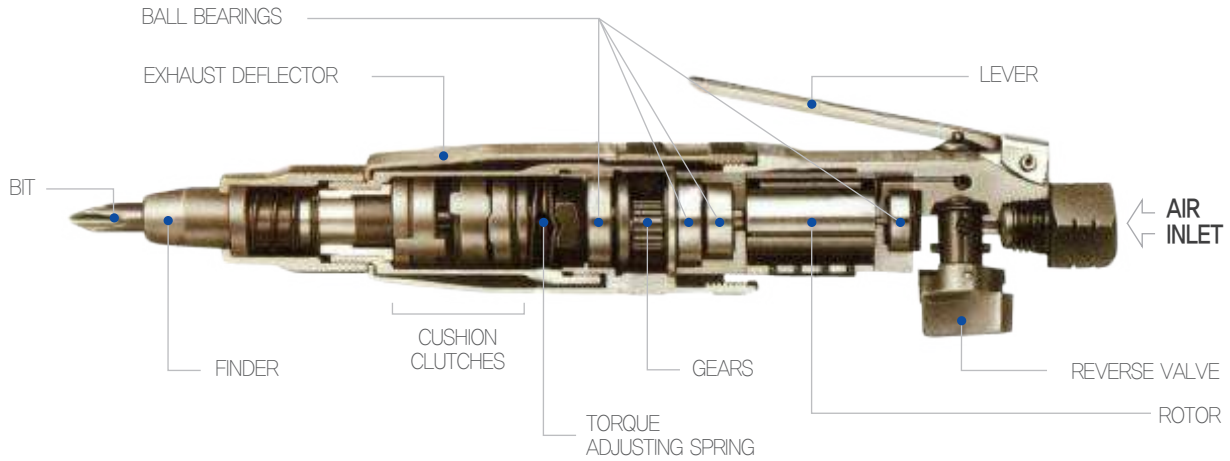
Die Grinders I

Die Grinders II

Micro Grinders

Impact Wrenches

## Screw driver structure



### Quick changeable driver anvil 5.0, 6.35 mm Hex



Bit is changeable by pulling forward the retainer sleeve

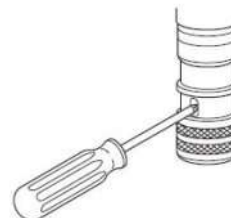
### Torque Adjustment Method



After disassembling the product, Torque can be adjusted.  
Torque can be adjusted.  
Please follow the instruction below.

- 1st. immobilize the adjusting nut
  - 2nd. insert a bit into the hammer shank.
- Clockwise : Increase
  - Anticlockwise : Decrease

### Torque Control



Torque is increased by turning the cross type driver clockwise.

### Valve of rotation direction



Reversely rotated when pushes down as the arrow direction, and then fixed after about 1/3 rotation.

Impact Drivers

Screw Drivers

Edge Cutters

Drills, Chipping Hammer,  
Needle Scalers

Parts

# Edge Cutters

## Edge Cutters

Easy changeable insert tip

Specially used in the field of ship building heavy industries for trimming process of steel plate edge

High productivity, worker's fatigue reduction by the ergonomic design



7" 5" Angle Grinders  
4" 2" Angle Grinders

Die Grinders I

Die Grinders II

Micro Grinders

Impact Wrenches

## Edge Cutters



### DAC-3TQ (tip fastening : eccentric orbit bolt)

### DAC-3TQA (tip fastening : screw bolt)

- Easy changeable insert tip
- Multi purpose process because of various insert tips (liner or curve)
- Specially used in the field of ship building or heavy industries for trimming process of steel plate edge
- Light weight & easy handling
- Easy to use due to a same body casing with an angle grinder

### DAC-3T (tip fastening : eccentric orbit bolt)

- Easy changeable insert tip
- Multi purpose process because of various insert tips (liner or curve)
- Specially used in the field of ship building or heavy industries for trimming process of steel plate edge
- Easy to use due to a same body casing with an angle grinder

Model	Capacity		Max. power		Cutting speed m/min	Tip EA	Max. free speed rpm	Length		Weight		Thread air inlet in	Average air consumption		Noise db	Recommended air pressure	
	Filet (R)	Min. radius (R)	HP	W				in	mm	lb	kg		ft <sup>3</sup> /min	m <sup>3</sup> /min		PSI	kgf/cm <sup>2</sup>
DAC-3TQ/3TQA	3.0mm	17mm	1.4	1,044	2~3	3	8,500	10.4	265	6.17	2.8	PT 3/8	31.78	0.9	90	85	6
DAC-3T	3.0mm	17mm	0.7	522	2~3	3	10,000	10.2	260	7.49	3.4	PT 1/4	21.10	0.6	95	85	6



Impact Drivers

Screw Drivers

Edge Cutters

Drills, Chipping Hammer,  
Needle Scalers

Parts

# Drills, Chipping Hammer, and Needle Scalers

## Drills

- Easy controllable the rotation direction and the ergonomic design
- Excellent workability by optimized reduction ratio

## Chipping Hammer and Needle Scalers

- Easy operation with excellent performance for removing the scales
- High power for tool weight
- Musculoskeletal disorder prevention by minimizing vibration



7" 5" Angle Grinders  
4" 2" Angle Grinders

Die Grinders I

Die Grinders II

Micro Grinders

Impact Wrenches

## Drills

CE



### DR-8RH

- A general industrial drill chuck, 3/8", is available
- High power, and high efficiency
- Controllable the rotational direction by one hand
- Silencer equipped
- Double trigger structure, and low speed(500rpm) tapping



### DRS-4R

- Straight type drill
- Attachable the 3/8" drill chuck
- Easy control of rotation direction using a rotation control button

Model	Capacity (drill size)		Max. free speed RPM	Spindle thread in	Length		Weight		Thread air inlet in	Hose size (Outer-Inner) mm	Average air consumption		Noise db	Recommended air pressure	
	in	mm			in	mm	lb	kg			ft <sup>3</sup> /min	m <sup>3</sup> /min		PSI	kgf/cm <sup>2</sup>
DR-8RH	3/8	10	1,500	3/8	7.08	180	2.64	1.2	PT 1/4	10 - 8	21.18	0.6	83	85	6
DRS-4R	1/4	6.35	3,500	3/8	8.85	225	1.32	0.6	PT 1/8	8 - 5	10.50	0.3	83	85	6

## Chipping Hammer

CE



### DCH-24

- Widely used for removing the scales after welding, sanding after casting, and cutting process
- High power with even light weight

## Needle Scalars

CE



### DNH-16

- Shock absorbing rubber covered
- Widely used for removing the scales after welding, sanding after casting, and cutting process
- High power with light weight

Model	Chisel shank mm	Blow b/min	Length		Weight		Thread air inlet in	Average air consumption		Noise db	Recommended air pressure	
			in	mm	lb	kg		ft <sup>3</sup> /min	m <sup>3</sup> /min		PSI	kgf/cm <sup>2</sup>
DCH-24	10	4,000	6.81	173	1.76	0.8	PT 1/4	7.06	0.2	95	85	6
DNH-16	∅3.0x180	6,000	7.87	200	2.07	0.94	PT 3/8	5.65	0.16	88	85	6

## Parts



### Aluminium Pad

- Sustain the sand papers for painting pre-process
- Long lifetime and safety
- More strenght compared to the plastic pad
- Usable 4" or 7"

### Various Anvils & Hammers

- Strong power with long durability

### Air Regulator

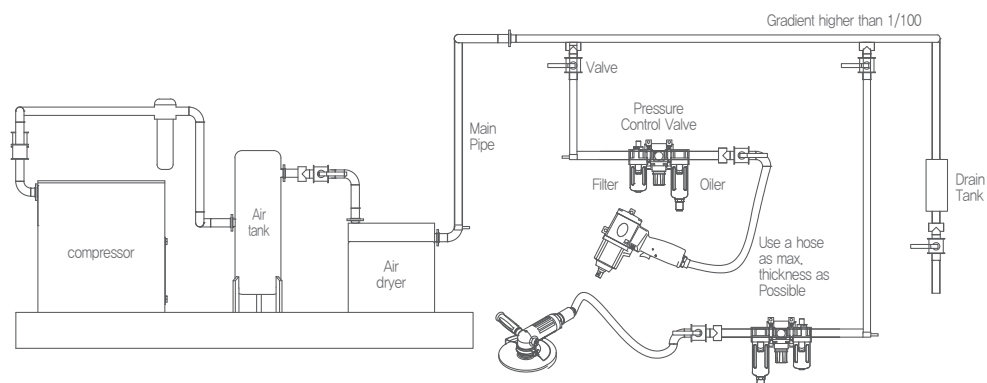
- Control the air flowrate depending on the output
- Easy operation because of selecting the air flowrate according to the operation condition
- Control : 1~4 stages

### Oil for air tools

- Lubricants for long lifetime, anti-rust and easy operation
- Removing the sludge causing the speed down and power reduction
- Keep the maximum power and extend air tools lifetime

## Recommended arrangement of air piping

⚠ Fatal defects or malfunction of air tools are caused by the air that includes moisture within the pipings



7" 5" Angle Grinders  
4" 2" Angle Grinders

Die Grinders I

Die Grinders II

Micro Grinders

Impact Wrenches

## Safety Instructions For Users Of Daewoo Air Tools

Safety first!

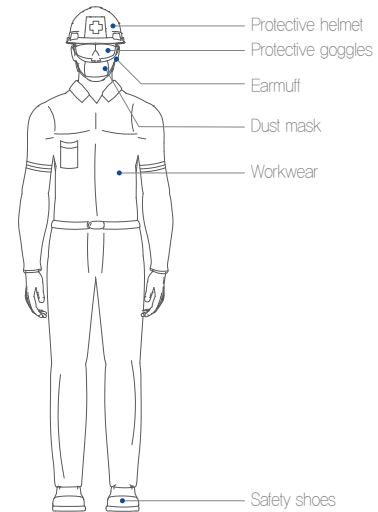
In order to use air tools properly and safely, should read carefully and understand this instruction this instruction before operation.

Keep this instruction manual at a best place near the working area for reading and referring before operation.

Be careful not to remove the warning labels attached at air tools.

### WEAR CLOTHING AND PROTECTORS

- Wear the proper clothing for safe operation (Fig.1)
- Not to wear loose clothing because the RPM of air tools is very high
- Wear a safety cap to cover all of the hairs
- Wear a safety eyeglasses, which should be consisted of an impact proof lens
- Wear a mask for protecting against the dust and particles which are generated during the operation and which are harmful for your health
- Wear an ear protector to reduce the noise and preserve your hearing ability
- Wear a safety shoes
- Take a time for relax when operators are tired
- No touch to the rotating wheel. (Fig. 1)



(Fig.1)

### WORKING AREA AND ENVIRONMENT

- Keep working area clean and be careful not to slip by the oil or something like that
- Keep out flammable or explosive liquids or gaseous, they cause to fire by the spark generated during operation
- Do not operate in the explosive atmosphere which is likely to blow up
- According to the operating condition, noise or vibration is generated. Be sure that it conforms all the local regulations
- When the working place is changed, move after stopping operation and disconnecting with the hoses

### MAINTENANCE AND CHECK

- Keep air tools clean and safely after using them
- When air tools need repair, air tools should be checked by the manufacturer or the licensed agent, Repairing by the operator causes of failure and serious damage to the operator
- When replace parts, should use the approved parts by the manufacturer. Other parts cause of failure and serious damage to the operator and the machine
- When need any special tools for dis- or re-assembly of air tools, inquire to the licensed agent or manufacturer
- Vent the pressurized air out for purification from the air tank everyday and mount air filter at the tank inlet against the acidify process in inner parts and the abrasion by the high RPM
- Do not use improper or broken hoses or connectors

### PROPER OPERATION

- Be sure that the air pressure is supplied at the rate pressure
- Be sure that materials are tighten up before operation. If not, grinders would be broken by the vibration and it is very dangerous
- When attach the accessories at the tools, check the attached state. When handle air tools' parts, be careful not to touch the sharp edge
- Never use a grinder wheel which are too much abrasive, broken, twisted, defective etc. Broken parts of grinder during operation are very dangerous to machines as well as operators
- When replace the grinder wheel, be sure that the air hose is disconnected with the air tool
- Operate in proper and comfortable posture, instable and improper posture would be caused of pain to operators' hand, foot or waist. Do not add strong shock to air tools and do not drop down or throw away them, which are assembled with precision parts. Strong shock causes of failure by the broken and twisted parts.
- Do not use air tools at the abnormal operation. Be sure that operation is under the air tools' capacity. Do not use air tools for other purposes except instructed.

### DISPOSAL

- Air tools consist of steel, iron, bronze, aluminium, rubber or some others. Be careful not to contaminate humans or environment when air tools are disposed

Impact Drivers

Screw Drivers

Edge Cutters

Drills, Chipping Hammer,  
Needle Scalers

Parts

## MEMO



**YANGSAN MACHINERY CO., LTD.**

113, Sandan 4-ro, Jeongwan-eup,  
Gijang-gun, Busan, Korea

T +82-51-728-7068

F +82-51-728-7069

[www.ysm24.com](http://www.ysm24.com)

 **Made in KOREA**